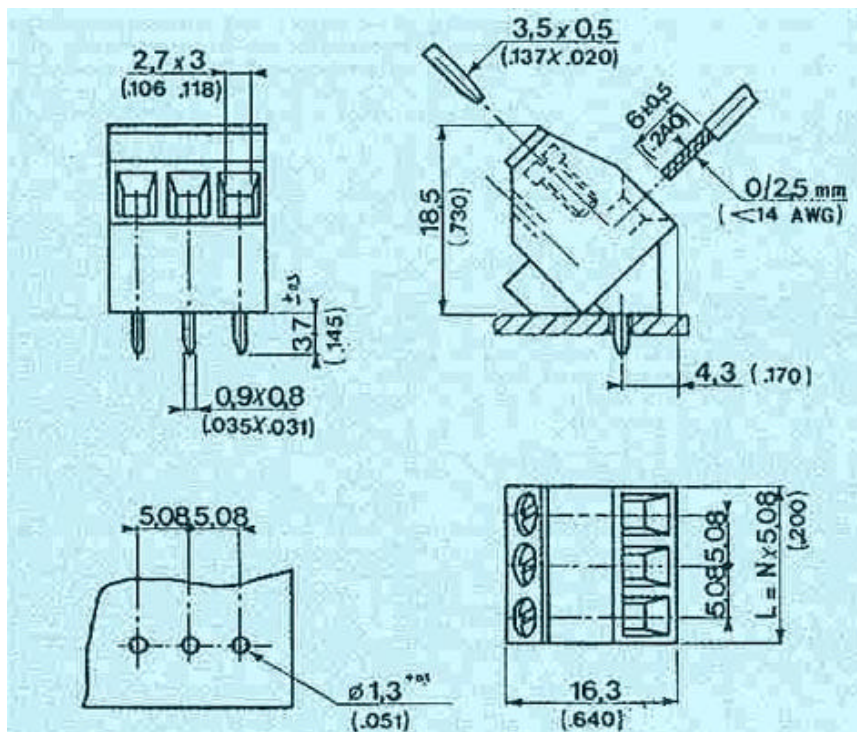


Series 105 500 Terminal Block

- ❑ 45° Angled PCB Mount Terminal Block, with Test Points.
- ❑ 22-14 AWG, 10 Amp, 300V
- ❑ Center to center pin spacing: .200"/5.08mm
- ❑ Optional pin spacing: .300"/7.62mm
- ❑ Optional pin spacing: .400"/10.16mm
- ❑ Optional pin spacing: .600"/15.24mm
- ❑ Wire and screw perpendicular
- ❑ UL, CSA approved and VDE rated
- ❑ Flammability Rating UL 94VO
- ❑ Number of Poles: 2-36 for .200"/5.08mm
- ❑ Number of Poles: 2-24 for .300"/7.62mm
- ❑ Number of Poles: 2-18 for .400"/10.16mm
- ❑ Number of Poles: 2-12 for .600"/15.24mm



Dimensional Data

Center to Center Spacing (P)	.200" / 5.08mm
Number of positions (N)	2...18
Please consult us about positions (N)	19...36
Captive screws	Ø .098" / M2.5
Blade of screwdriver	.138" x .20" / 3.5mm x 0.5mm
Recommended tightening torque	3.48 lb./in. / 0.4 mN
Insulation stripping length	.236" ± .20" / 6mm ± 0.5mm
P.C.B Thickness	≤ .094" / ≤ 2.4mm
Testing Hole	Ø .078" / Ø .2mm

Technical Data

Pin (Plating)	Brass (nickel / tin-lead)
Screw-clamp (plating)	Steel (zinc)
Housing	UL 94 V O grey polycarbonate
Operating temperature	-40°F + 258°F / - 40°C + 125°C
Insulation resistance	≥ 10 ¹² Ω

Electrical Characteristics

	UL	CSA	NFC-UTE	DIN-VDE
Wire range (solid or stranded)	22-14 AWG	22-14 AWG	2.5 mm 2	2.5 mm 2
Maximum current rating (+ 68°F / + 20°C)	10A	10A	15A	15A
Operating voltage rating	V≈ 300	300	250 C cat.	250 C gr.
Dielectric withstand	1600	1600	2500	2000
V≈				
Flammability	94 V O			

Other Options

106.500	.300" / 7.62mm
108.500	.400" / 10.16mm
109.500	.600" / 15.24mm