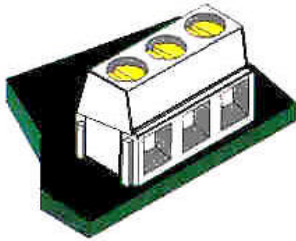
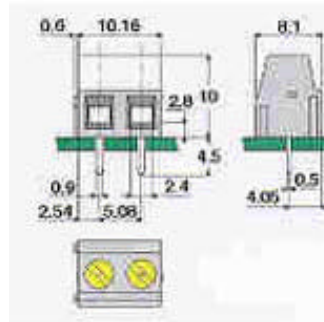


**Series 145 200 Terminal Block**

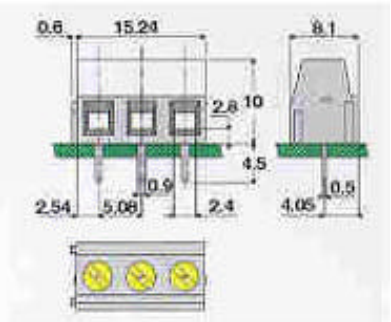
- ❑ Miniature PCB Mount Terminal Block.
- ❑ 20-16 AWG, 12 Amp, 300V
- ❑ Center to center pin spacing: .200"/5.08mm
- ❑ Wire and screw perpendicular
- ❑ UL, CSA approved and VDE rated
- ❑ Flammability Rating UL 94VO
- ❑ Number of Poles: 2-3 Dovetail Interlocking



**145 202 01 000**



**145 203 01 000**



**Dimensional Data**

Center to Center Spacing (P)	.200" / 5.08mm
Number of positions (N)	2-3
Captive screws	M3
Blade of screwdriver	.138" x .20" / 3.5mm x 0.5mm
Recommended tightening torque	.45 mN
Insulation stripping length	.236 / 6mm
P.C.B Thickness	.063 - .094" / 1.6mm – 2.4mm

**Technical Data**

Pin (Plating)	Sn
Screw-clamp (plating)	Cu Zn 39 Pb 2
Housing	-PA UL94 V O
Operating temperature	-22°F + 212°F / - 30°C + 100°C
Insulation resistance	≥ 100 MOhm

**Electrical Characteristics**

	UL	CSA	NFC-UTE	DIN-VDE
Wire range (solid or stranded)	20-16 AWG	20-16 AWG	1.5 mm <sup>2</sup>	1.5 mm <sup>2</sup>
Maximum current rating (+ 68°F / + 20°C)	12A	12A	12A	12A
Operating voltage rating	V≈ 300	300	250 C cat.	250 C gr.
Dielectric withstand	V≈ 2500	2500	2500	2500
Flammability	94 V O			