



Tubular Solenoid

Oak has been a leading manufacturer of switch products since its founding in 1932. This half-century of manufacturing experience is your assurance of top product quality.

Solenoids are part of Oak's extensive product line which includes switches (rotary, lighted and unlighted pushbutton, lever, rocker, keylock and membrane), full travel membrane-based keyboards and keypads, and subminiature lamps.

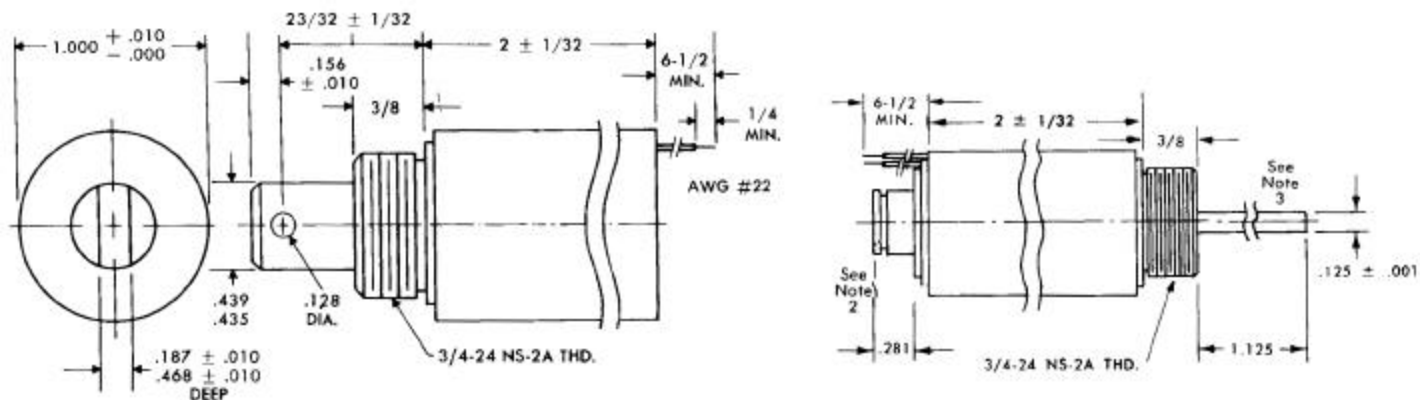
Rotary, flat pack, tubular or box frame –Oak has a standard solenoid for virtually any application. And our engineers will be happy to work with your custom designs for special applications, too.

Tubular Solenoids

Using a design which concentrates the magnetic forces within the solenoid, Tubular solenoids provide high force in a limited space. Strokes of up to 1-1/2" are common with medium to high power. Tubular solenoids are also characterized by speed and extended life. They are normally used only for DC operation.

Type C16-32 see page 2 of 4
Type C24-26 see page 3 of 4
Type C24-38 see page 4 of 4

TUBULAR SOLENOID

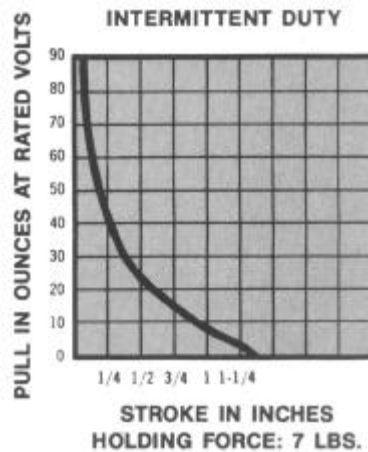
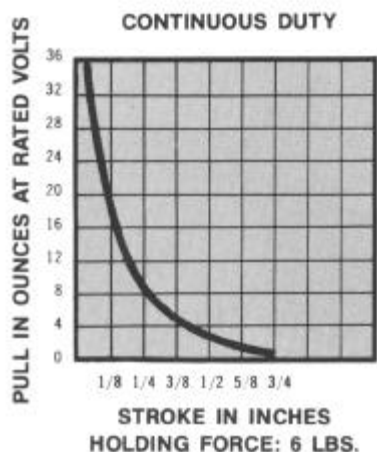


Notes:

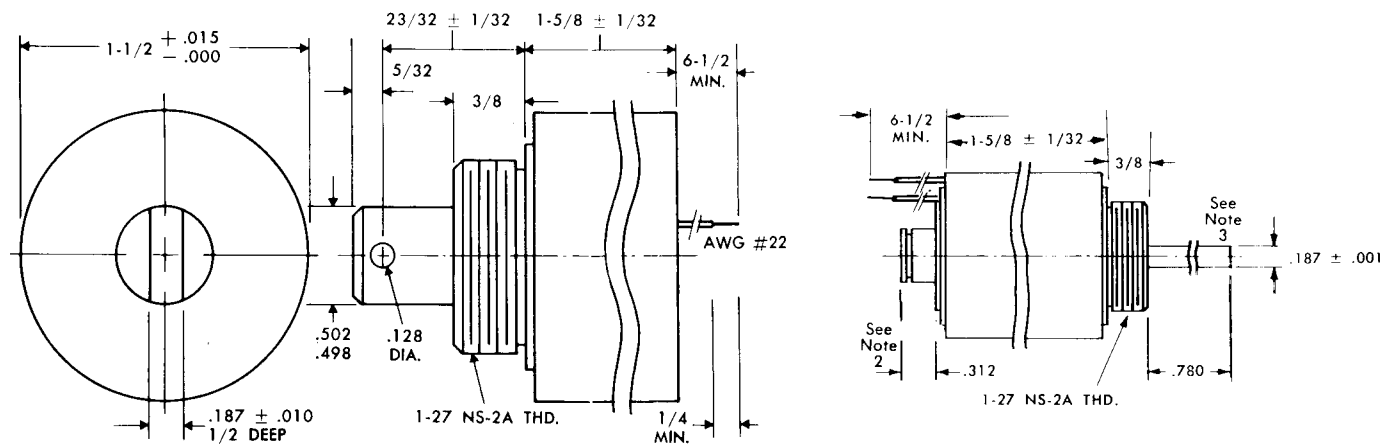
1. Solenoid shown in energized position.
2. .281 Plunger configuration shown supplied for spring return only.
3. Largest size thread that may be threaded on push rod #5.
4. Push force approximately 90% of pull forces shown.

Type C16-32

| Specifications | | Standard Coils | | |
|----------------------------|--|--|---|--------------------------|
| Size | 1" Diameter x 2" Long (From Mounting Surface) | Nominal Volts (D.C.) | Resistance (OHMS ± 10%) at 25° C | |
| Weight | 5 1/2 Oz. Max. | | Continuous Duty | Intermittent Duty |
| Mounting | 3/4-24 Threaded Bushing (Nut and Lockwasher Supplied) | 6 | 6.5 | .95 |
| Dielectric Strength | 500 VRMS | 12 | 26.0 | 3.80 |
| Insulation Material | Class "A" (105° C) | 24 | 105.0 | 15.00 |
| Life Expectancy | 10 Million Cycles at Rated Load | 110 | 2405 | 348.0 |
| Nominal Coil Power | Continuous Duty – 5.5 Watts Intermittent Duty (10%) – 38 Watts (One Minute Max. on Time) | Other Coils and Duty Cycles Available Upon Request | | |



TUBULAR SOLENOID

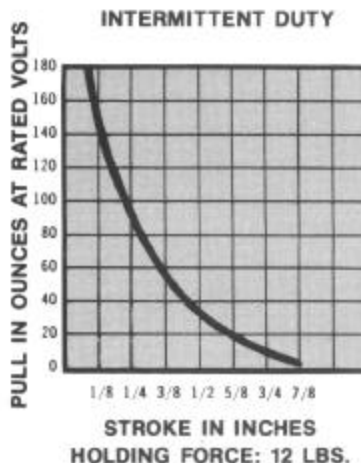
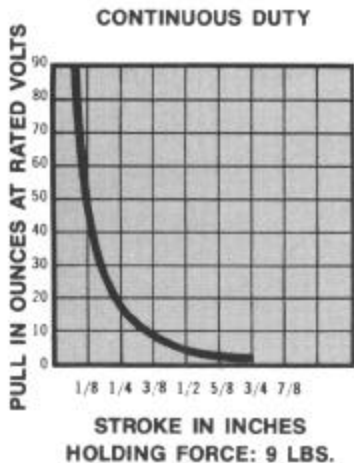


Notes:

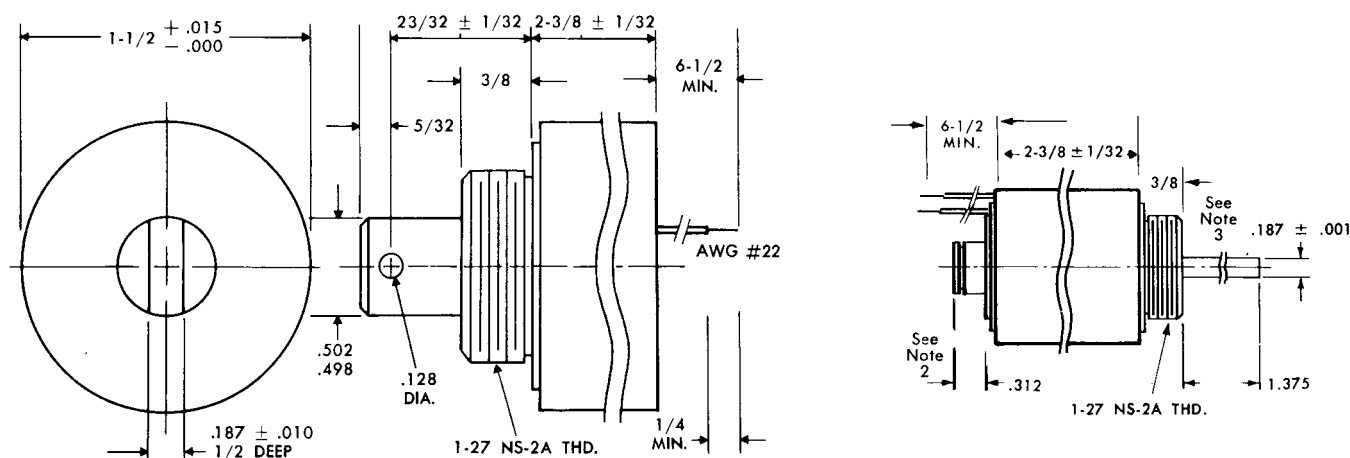
1. Solenoid shown in energized position.
2. .312 Plunger configuration shown supplied for spring return only.
3. Largest size thread that may be threaded on push rod #10.
4. Push force approximately 90% of pull forces shown.

Type C24-26

| Specifications | | Standard Coils | | |
|----------------------------|---|--|---|--------------------------|
| Size | 1 1/2" Diameter x 1 5/8" Long (From Mounting Surface) | Nominal Volts (D.C.) | Resistance (OHMS ± 10%) at 25° C | |
| Weight | 10 Oz. Max. | | Continuous Duty | Intermittent Duty |
| Mounting | 1-27 Threaded Bushing (Nut and Lockwasher Supplied) | 6 | 5.0 | .9 |
| Dielectric Strength | 500 VRMS | 12 | 20.6 | 3.6 |
| Insulation Material | Class "A" (105° C) | 24 | 82.0 | 14.0 |
| Life Expectancy | 10 Million Cycles at Rated Load | 110 | 1890.0 | 331.0 |
| Nominal Coil Power | Continuous Duty – 7 Watts Intermittent Duty (10%) –40 Watts (One Minute Max. on Time) | Other Coils and Duty Cycles Available Upon Request | | |



TUBULAR SOLENOID



Notes:

1. Solenoid shown in energized position.
2. .312 Plunger configuration shown supplied for spring return only.
3. Largest size thread that may be threaded on push rod #10.
4. Push force approximately 90% of pull forces shown.

Type C24-38

| Specifications | | Standard Coils | | |
|----------------------------|--|--|---|--------------------------|
| Size | 1 1/2" Diameter x 2 3/8" Long (From Mounting Surface) | Nominal Volts (D.C.) | Resistance (OHMS ± 10%) at 25° C | |
| Weight | 18 Oz. Max. | | Continuous Duty | Intermittent Duty |
| Mounting | 1-27 Threaded Bushing (Nut and Lockwasher Supplied) | 6 | 3.6 | .6 |
| Dielectric Strength | 500 VRMS | 12 | 14.5 | 2.4 |
| Insulation Material | Class "A" (105° C) | 24 | 58.0 | 9.6 |
| Life Expectancy | 10 Million Cycles at Rated Load | 110 | 1323.0 | 220.0 |
| Nominal Coil Power | Continuous Duty – 10 Watts Intermittent Duty (10%) –60 Watts (One Minute Max. on Time) | Other Coils and Duty Cycles Available Upon Request | | |

