



Tubular Solenoid

Oak has been a leading manufacturer of switch products since its founding in 1932. This half-century of manufacturing experience is your assurance of top product quality.

Solenoids are part of Oak's extensive product line which includes switches (rotary, lighted and unlighted pushbutton, lever, rocker, keylock and membrane), full travel membrane-based keyboards and keypads, and subminiature lamps.

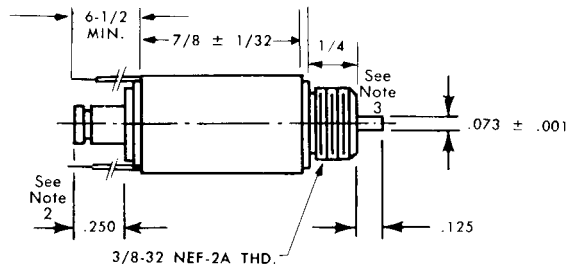
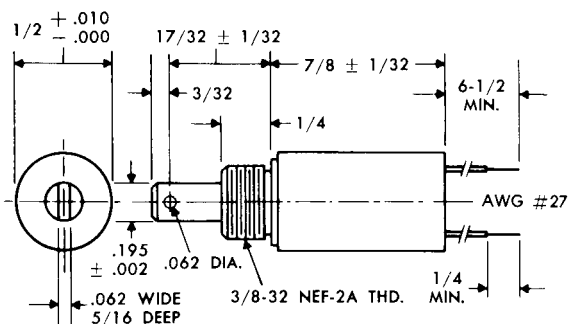
Rotary, flat pack, tubular or box frame –Oak has a standard solenoid for virtually any application. And our engineers will be happy to work with your custom designs for special applications, too.

Tubular Solenoids

Using a design which concentrates the magnetic forces within the solenoid, Tubular solenoids provide high force in a limited space. Strokes of up to 1-1/2" are common with medium to high power. Tubular solenoids are also characterized by speed and extended life. They are normally used only for DC operation.

Type C7-18 see page 2 of 4
Type C8-14 see page 3 of 4
Type C8-24 see page 4 of 4

TUBULAR SOLENOID

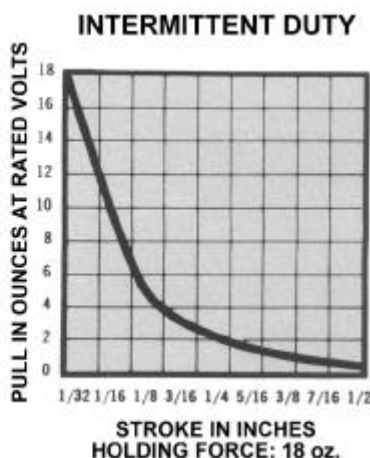
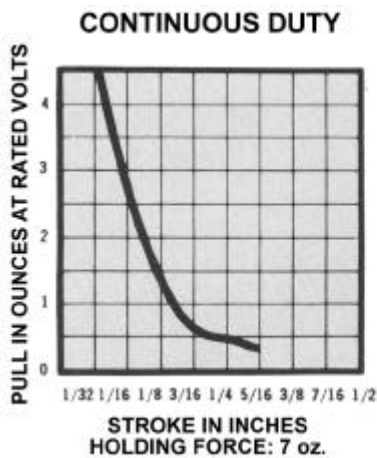


Notes:

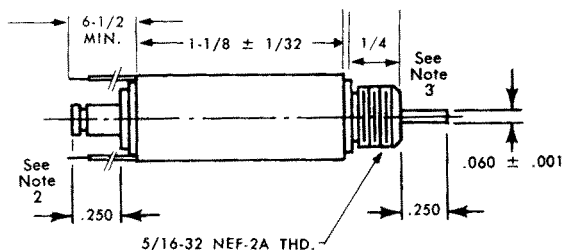
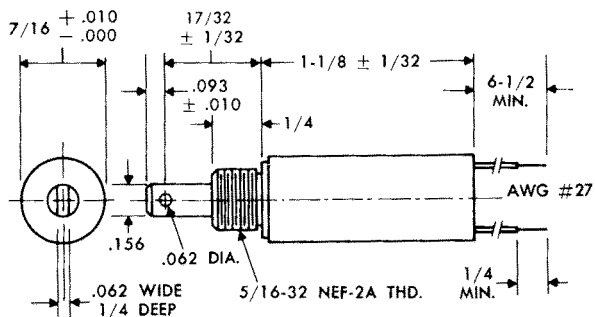
1. Solenoid shown in energized position.
2. .250 Plunger configuration shown supplied for spring return only.
3. Largest size thread that may be threaded on push rod #0.
4. Push force approximately 90% of pull forces shown.

Type C7-18

Specifications		Standard Coils		
Size	7/16" Diameter x 1 1/8" Long (From Mounting Surface)	Nominal Volts (D.C.)	Resistance (OHMS ± 10%) at 25° C	
Weight	1/2 Oz. Max.		Continuous Duty	Intermittent Duty
Mounting	5/16-32 Threaded Bushing (Nut and Lockwasher Supplied)	6	18	3.6
Dielectric Strength	500 VRMS	12	72	14.4
Insulation Material	Class "A" (105° C)	24	288	58.0
Life Expectancy	10 Million Cycles at Rated Load	110	6613	1323.0
Nominal Coil Power	Continuous Duty –2 Watts Intermittent Duty (10%) –10 Watts (One Minute Max. on Time)	Other Coils and Duty Cycles Available Upon Request		



TUBULAR SOLENOID

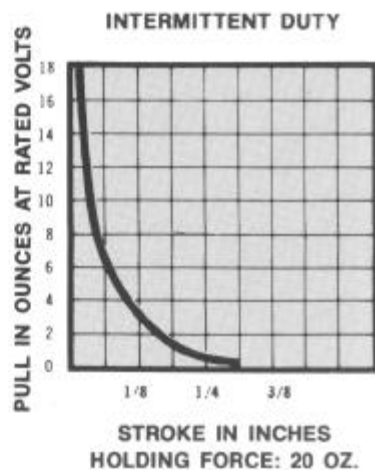
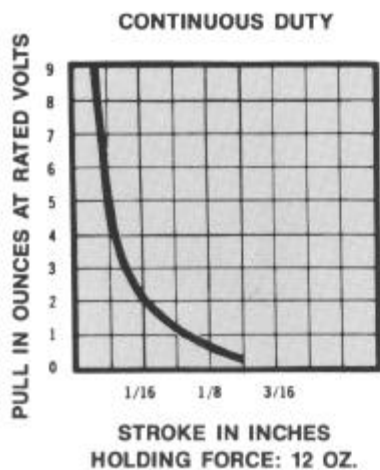


Notes:

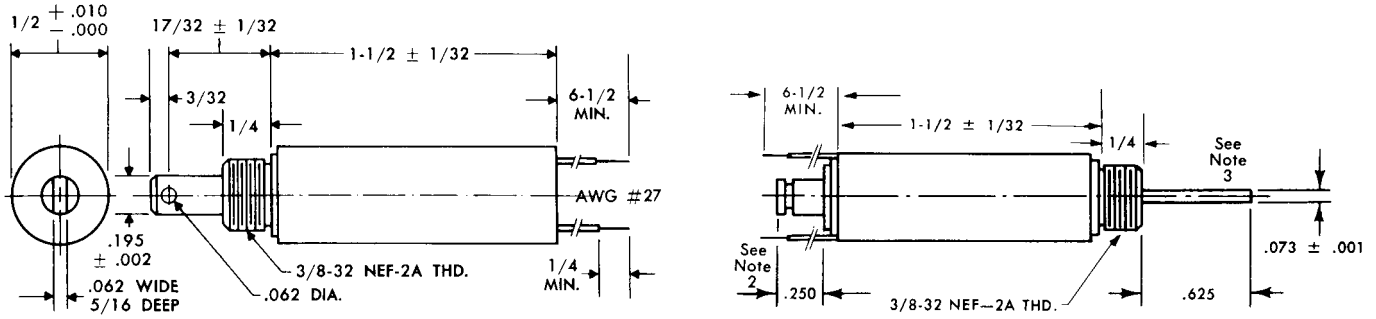
1. Solenoid shown in energized position.
2. .250 Plunger configuration shown supplied for spring return only.
3. Largest size thread that may be threaded on push rod #1.
4. Push force approximately 90% of pull forces shown.

Type C8-14

Specifications		Standard Coils		
Size	1/2" Diameter x 7/8" Long (From Mounting Surface)	Nominal Volts (D.C.)	Resistance (OHMS ± 10%) at 25° C	
Weight	1 Oz. Max.		Continuous Duty	Intermittent Duty
Mounting	3/8-32 Threaded Bushing (Nut and Lockwasher Supplied)	6	15	5.0
Dielectric Strength	500 VRMS	12	60	20.6
Insulation Material	Class "A" (105° C)	24	240	82.0
Life Expectancy	10 Million Cycles at Rated Load	110	5510	1890.0
Nominal Coil Power	Continuous Duty –2.4 Watts Intermittent Duty (10%) –7 Watts (One Minute Max. on Time)	Other Coils and Duty Cycles Available Upon Request		



TUBULAR SOLENOID



Notes:

1. Solenoid shown in energized position.
2. .250 Plunger configuration shown supplied for spring return only.
3. Largest size thread that may be threaded on push rod #1.
4. Push force approximately 90% of pull forces shown.

Type C8-24

Specifications		Standard Coils		
Size	1/2" Diameter x 1 1/2" Long (From Mounting Surface)	Nominal Volts (D.C.)	Resistance (OHMS ± 10%) at 25° C	
Weight	1 1/2 Oz. Max.		Continuous Duty	Intermittent Duty
Mounting	3/8-32 Threaded Bushing (Nut and Lockwasher Supplied)	6	10.3	2.4
Dielectric Strength	500 VRMS	12	41.0	9.6
Insulation Material	Class "A" (105° C)	24	165.0	38.5
Life Expectancy	10 Million Cycles at Rated Load	110	3780.0	882.0
Nominal Coil Power	Continuous Duty –3.5 Watts Intermittent Duty (10%) –15 Watts (One Minute Max. on Time)	Other Coils and Duty Cycles Available Upon Request		

